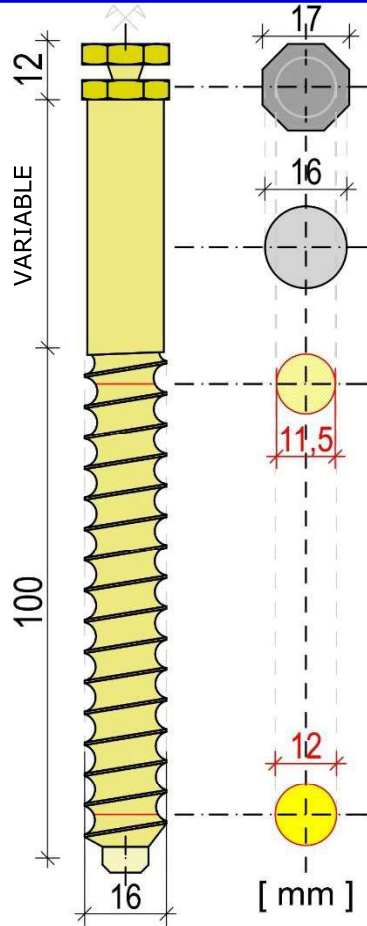
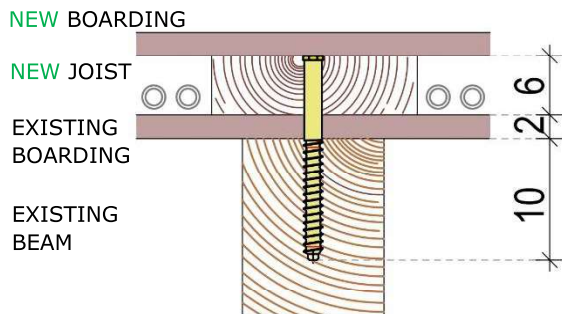


# ALFER CONNECTOR WOOD-WOOD

## SNAP-OFF SYSTEM TECHNICAL SHEET



**PS.** THE VALUES IN THE TABLE TO THE SIDE REFER TO THE DESIGN OF THE CONNECTOR AS SHOWN BELOW:



### CONNECTOR

Shear resistance diameter	<b>d</b>	16 [ mm ]
Characteristic breaking strength	<b>f<sub>uk</sub></b>	593 [ N/mm <sup>2</sup> ]

### MECHANICAL VALUES OF THE CONNECTION

"For simple joisted floors with **CONTINUOUS AXE**"

EXISTING BEAM		NEW JOIST		CONNECTOR	
SOLID		SOLID		Characteristic bearing shear strength <b>R<sub>k</sub></b>	7442 [ N ]
CLASS	DENSITY	CLASS	DENSITY	Instant slip modulus <b>K<sub>SER</sub></b>	5555 [ N/mm ]
C18	380 Kg/m <sup>3</sup>	C24	420 Kg/m <sup>3</sup>	Ultimate slip modulus <b>k<sub>u</sub></b>	3703 [ N/mm ]

EXISTING BEAM		NEW JOIST		CONNECTOR	
SOLID		SOLID		Characteristic bearing shear strength <b>R<sub>k</sub></b>	7579 [ N ]
CLASS	DENSITY	CLASS	DENSITY	Instant slip modulus <b>K<sub>SER</sub></b>	5988 [ N/mm ]
C24	420 Kg/m <sup>3</sup>	C24	420 Kg/m <sup>3</sup>	Ultimate slip modulus <b>k<sub>u</sub></b>	3992 [ N/mm ]

EXISTING BEAM		NEW JOIST		CONNECTOR	
LAMINATED		SOLID		Characteristic bearing shear strength <b>R<sub>k</sub></b>	7702 [ N ]
CLASS	DENSITY	CLASS	DENSITY	Instant slip modulus <b>K<sub>SER</sub></b>	5555 [ N/mm ]
GL24h	380 Kg/m <sup>3</sup>	C24	420 Kg/m <sup>3</sup>	Ultimate slip modulus <b>k<sub>u</sub></b>	3703 [ N/mm ]

### MECHANICAL VALUES OF THE CONNECTION

"For simple joisted floors with **CONTINUOUS AXE**"

EXISTING BEAM		NEW JOIST		CONNECTOR	
SOLID		LAMINATED		Characteristic bearing shear strength <b>R<sub>k</sub></b>	7755 [ N ]
CLASS	DENSITY	CLASS	DENSITY	Instant slip modulus <b>K<sub>SER</sub></b>	5153 [ N/mm ]
C18	380 Kg/m <sup>3</sup>	GL24h	380 Kg/m <sup>3</sup>	Ultimate slip modulus <b>k<sub>u</sub></b>	3435 [ N/mm ]

EXISTING BEAM		NEW JOIST		CONNECTOR	
SOLID		LAMINATED		Characteristic bearing shear strength <b>R<sub>k</sub></b>	7903 [ N ]
CLASS	DENSITY	CLASS	DENSITY	Instant slip modulus <b>K<sub>SER</sub></b>	5555 [ N/mm ]
C24	420 Kg/m <sup>3</sup>	GL24h	380 Kg/m <sup>3</sup>	Ultimate slip modulus <b>k<sub>u</sub></b>	3703 [ N/mm ]

EXISTING BEAM		NEW JOIST		CONNECTOR	
LAMINATED		LAMINATED		Characteristic bearing shear strength <b>R<sub>k</sub></b>	8035 [ N ]
CLASS	DENSITY	CLASS	DENSITY	Instant slip modulus <b>K<sub>SER</sub></b>	5153 [ N/mm ]
GL24h	380 Kg/m <sup>3</sup>	GL24h	380 Kg/m <sup>3</sup>	Ultimate slip modulus <b>k<sub>u</sub></b>	3435 [ N/mm ]